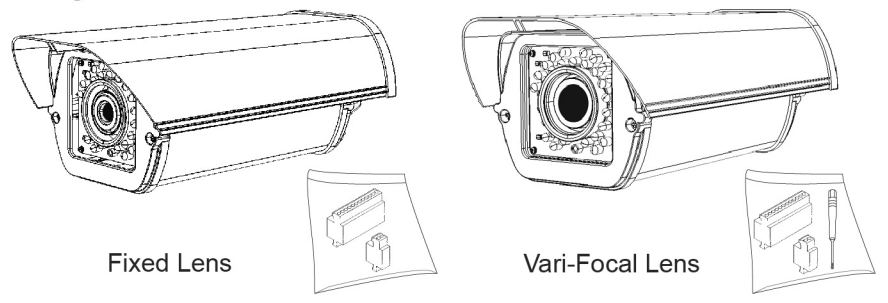




Tube Network Camera Hardware Installation

Package Contents



1 Start the Installation

1-2 Rotate to 180° after the screws had release.

2 Please plug in LAN cable and Twister-Pair into separate cable hole before installation.

3 Please plug in LAN cable and Twister-Pair into separate cable hole before installation.

- HUB
- Twister-Pair (Not supplied)
- Power

4 Adjust the focus and zoom
Use the screw driver to relax the screws for lens angle adjustment.

- Focus
- Zoom In/Out

* Be applicable only for the Vari-Focal model.

5 Turn the waterproof connector in clockwise direction.

6 Tripod Mounting

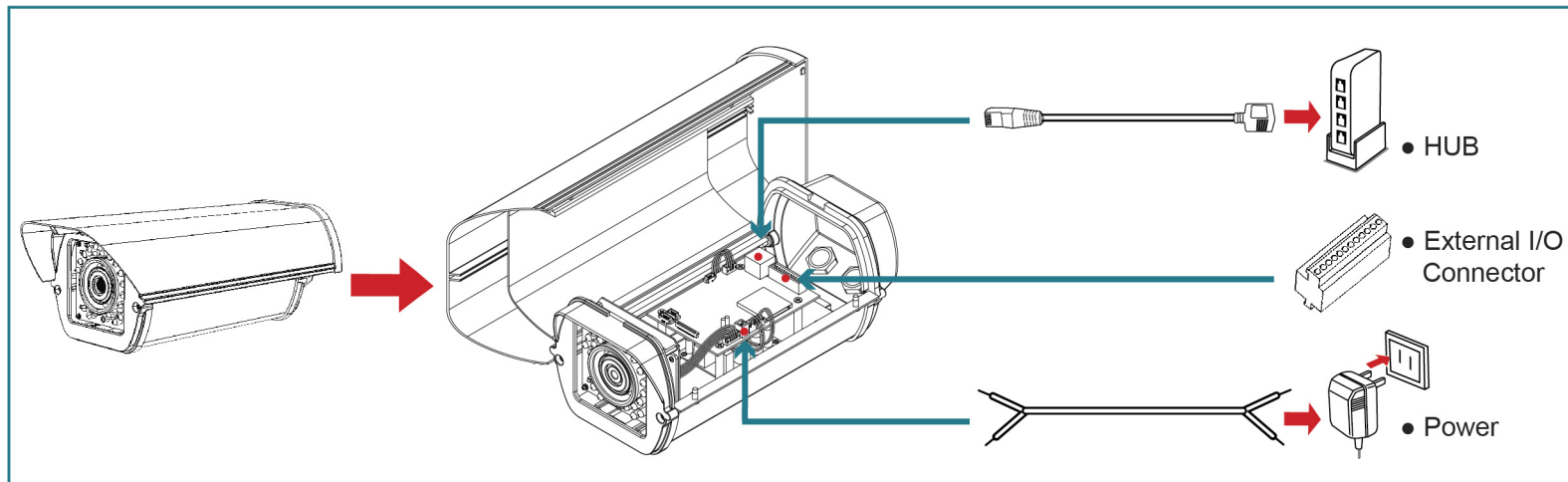
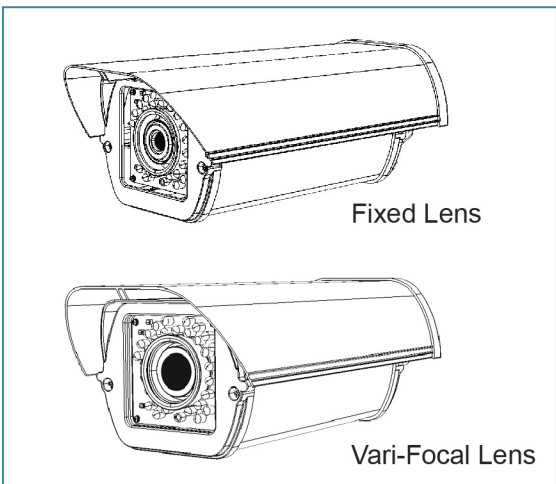
- Screw (Not supplied)
- Tripod (Not supplied)

7

To use this product outdoors, it must be installed in an approved outdoor housing.



Bullet Network Camera Connection Diagram



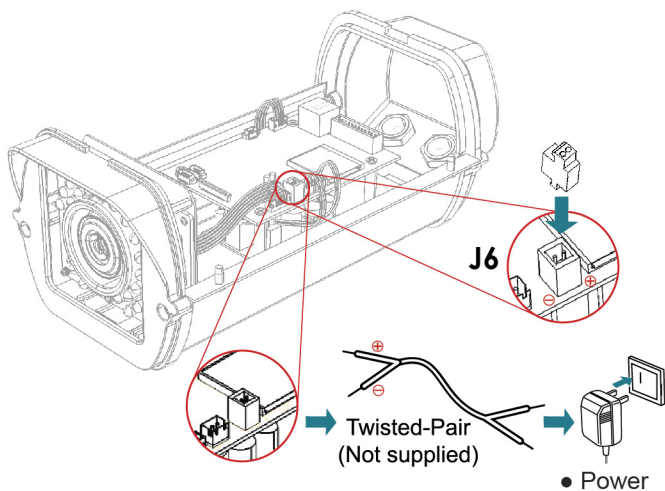
Connect the product to the switch hub and PC.

1 Connecting up

Prepare the product, your PC and switch hub ready for connection. Make sure that your PC has a LAN port available for connection to the network cable of the product.

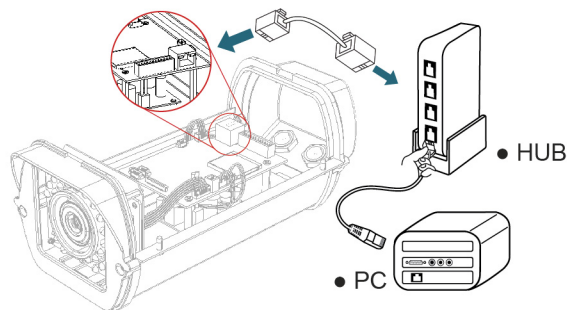
2 Connect to the power outlet

Connect with your power adaptor directly using the twisted pair (not supplied) after plug the supplied 2pin connector into J6 as shown.



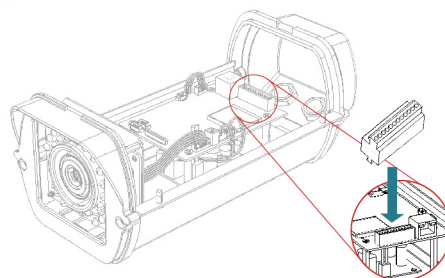
3 Connecting up

Use a network cable and plug it in the LAN port of the product. Plug the other end of the cable in the LAN port of the hub.

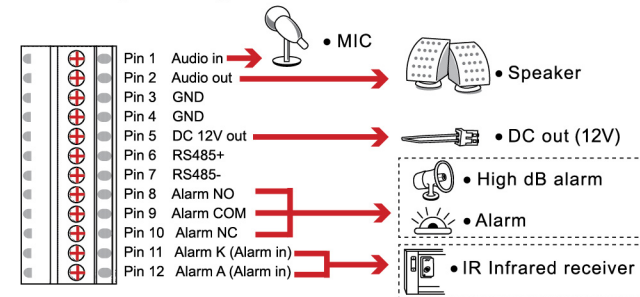


4 Plug the External I/O connector

Plug the supplied external I/O connector into the connector as shown.



External I/O setting



* For further details, please refer to user manual in the attached CD.

5 Turn on the power.

Turn on the power of the PC and hub.

